



  
**MONOLITH**  
DESIGN AND TECHNOLOGICAL RESEARCH FOR WATER

**Monolith S.r.l.**  
Via dell'Artigiano 8/F-8/G  
31050 Monastier (Treviso)  
ITALY | EU  
Tel. +39 0422 842157  
sales@monolithsrl.com  
monolithsrl.com

  
**MONOLITH**  
DESIGN AND TECHNOLOGICAL RESEARCH FOR WATER

UN  
ELEGANTE  
DESIGN  
PER UN  
PROGETTO  
INNOVATIVO

—  
ELEGANT  
DESIGN  
FOR INNOVATIVE  
PROJECT

**P R E M I U M**

Stile, progettazione  
e produzione  
100% italiana!

100% Italian styling  
Italian engineering  
Italian production!

—  
DISPONIBILE IN  
DIVERSI MATERIALI,  
PER SODDISFARE LE ESIGENZE  
DEI MERCATI MONDIALI

AVAILABLE IN DIFFERENT  
RAW MATERIALS  
TO MEET THE WORLDWIDE  
MARKETS NEEDS





LA  
COMBINAZIONE  
IDEALE TRA  
INTERIOR  
DESIGN E  
TECNOLOGIA  
PROFESSIONALE.

-  
The perfect fusion of  
interior design and  
professional  
technology.



# PREMIUM

ELEGANZA  
Elegant Style

ROBUSTEZZA  
Strenght

IGIENE  
Hygiene

PRATICITÀ  
Practicality

ERGONOMIA  
Ergonomic design



**PREMIUM PER FACILE MANUTENZIONE**

PREMIUM FOR EASY MAINTENANCE

**PREMIUM PER CONTROLLO DI EROGAZIONE**

PREMIUM FOR FLOW CONTROL

**PREMIUM PER QUALITÀ DEL MATERIALE**

PREMIUM FOR QUALITY OF MATERIAL

**PREMIUM PER RESISTENZA AGLI URTI**

PREMIUM FOR RESISTANCE

**PREMIUM PER UTILIZZO A LUNGA DURATA**

PREMIUM FOR LONG LIFE USE

**PREMIUM PER TOLLERANZA ALLE CORROSIONI**

PREMIUM FOR CORROSION RESISTANCE

**PREMIUM PER ANELLO DI BLOCCAGGIO  
CON EROGAZIONE CONTINUA**

PREMIUM FOR LOCKING RING TO KEEP ON THE FLOW

**PREMIUM PER RAPPORTO QUALITÀ-PREZZO**

PREMIUM FOR VALUE FOR MONEY

**PREMIUM PER PROOF-SCHOCK**

PREMIUM FOR SHOCK-PROOF



**PREMIUM**

DESIGN  
E RICERCA  
TECNOLOGICA  
PER L'ACQUA

—  
Design and  
technological  
research  
for water.



**PREMIUM**

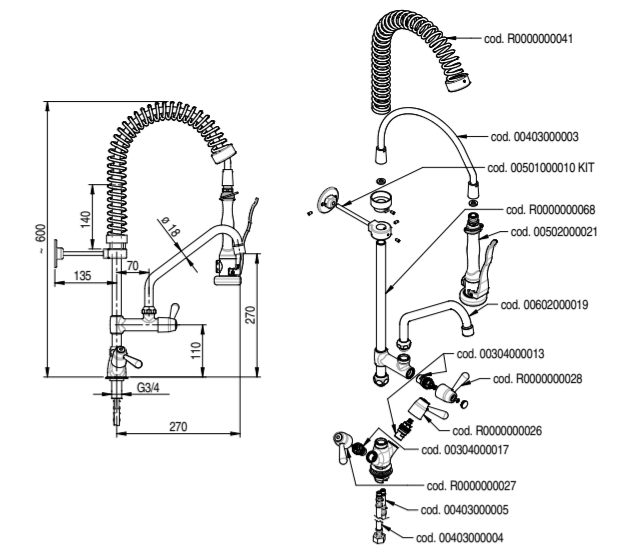
ED ORA...  
NON VI RESTA  
CHE SCEGLIERE  
IL MODELLO  
CHE SODDISFI LE  
VOSTRE ESIGENZE!

and now...  
you'll just have  
to choose the  
model that  
satisfies your  
needs!

PREMIUM

Cod. P0101020192

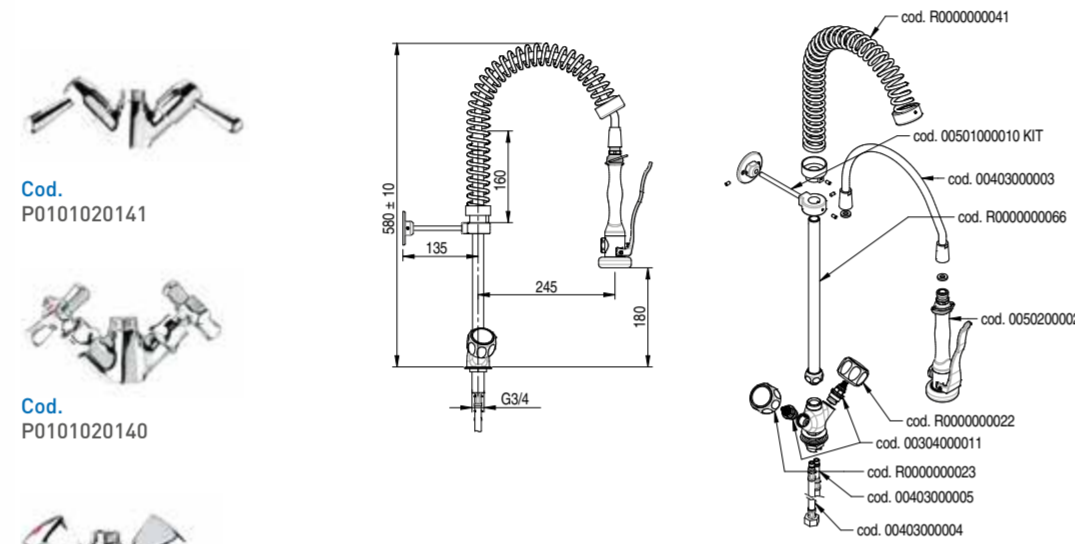
MONOFORO A LAVELLO MANIGLIA  
LEVA CORTA, KIT DOCCIA MINI,  
CANNA "C" A METÀ ASTA  
ONE HOLE SINK TAP SHORT  
LEVER HANDLES, KIT SHOWER  
SMALL MODEL, "C" PIPE  
IN THE MIDDLE OF METAL TUBE



Foro fissaggio / Fixing hole  $\varnothing$  27 mm  
Peso / Weight 4 kg  
Portata max / Max flow rate 17 l/min a 4 bar

Cod. P0101020112

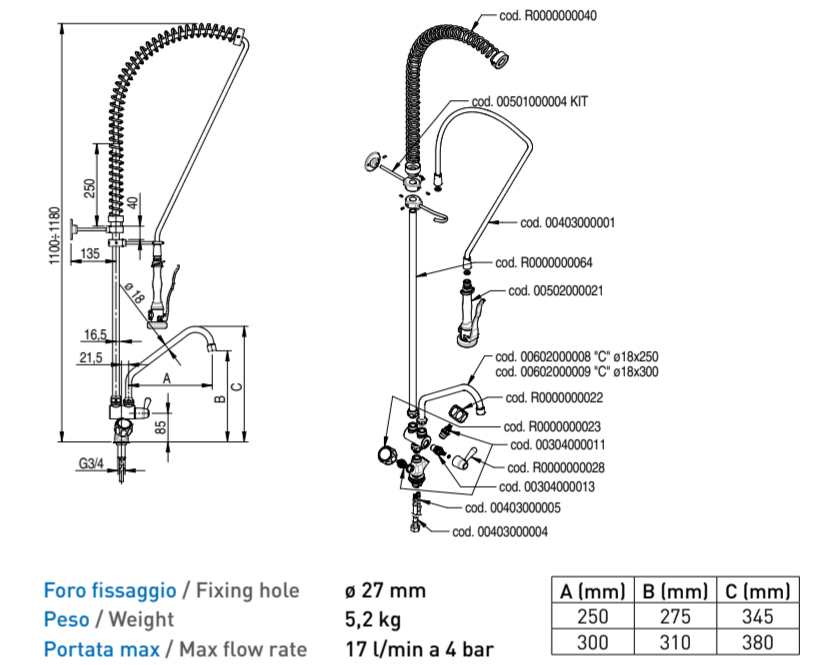
MONOFORO A LAVELLO,  
KIT DOCCIA MINI  
ONE HOLE SINK TAP,  
KIT SHOWER SMALL MODEL



Foro fissaggio / Fixing hole  $\varnothing$  27 mm  
Peso / Weight 3,4 kg  
Portata max / Max flow rate 17 l/min a 4 bar

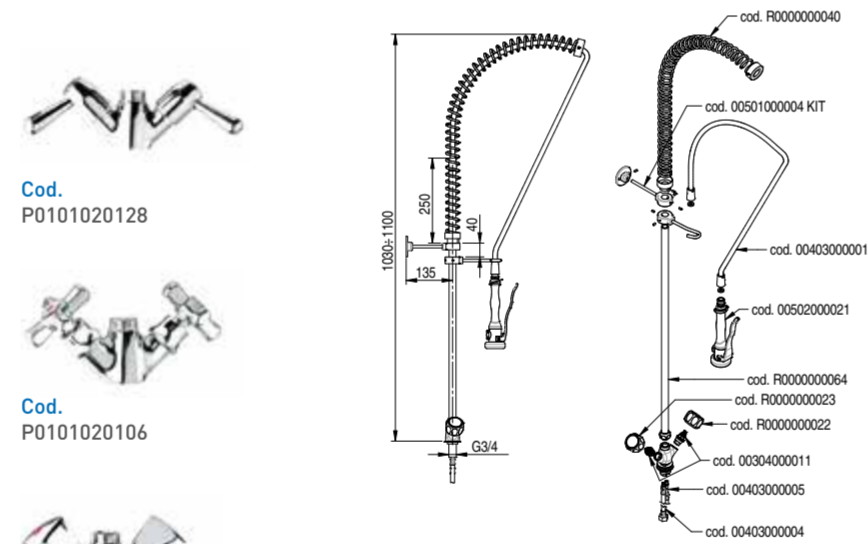
Cod. P0101020135 ("C" 250)  
P0101020136 ("C" 300)

MONOFORO A LAVELLO,  
KIT DOCCIA CANNA "C"  
ONE HOLE SINK TAP "C"  
PIPE WITH KIT SHOWER



Cod. P0101020126

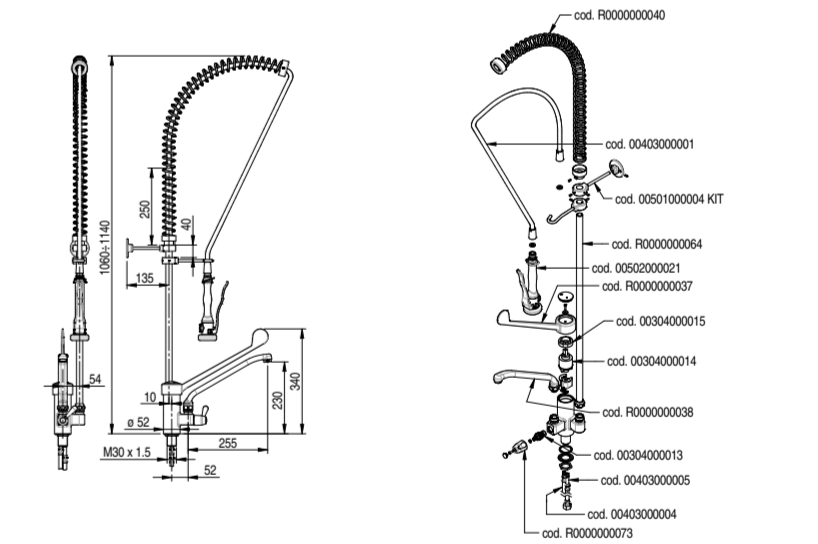
MONOFORO A LAVELLO,  
KIT DOCCIA  
ONE HOLE SINK TAP  
WITH KIT SHOWER



Foro fissaggio / Fixing hole  $\varnothing$  27 mm  
Peso / Weight 4,1 kg  
Portata max / Max flow rate 17 l/min a 4 bar

Cod. P0201020234

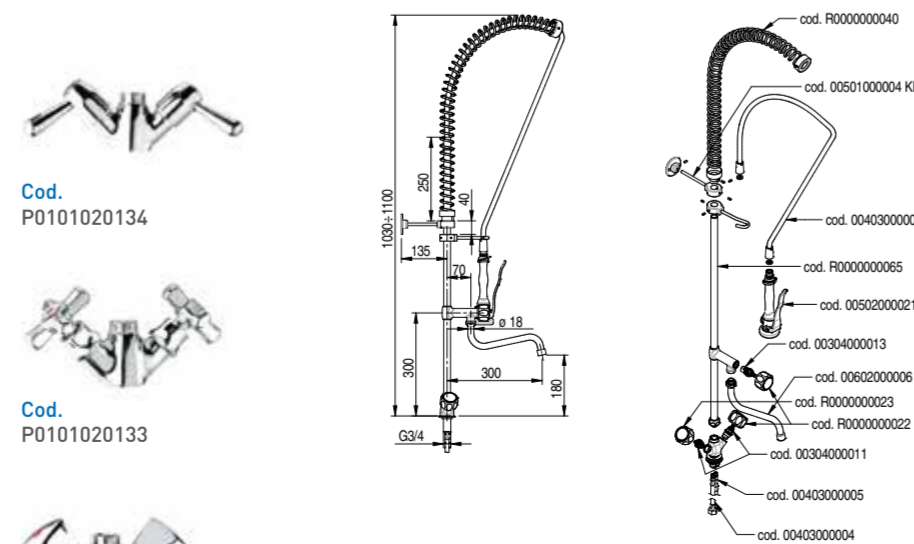
MONOFORO MISCELATORE A  
LAVELLO, KIT DOCCIA E CANNA,  
COMANDO A LEVA CLINICA NERA  
ONE HOLE SINK MIXER TAP  
WITH KIT SHOWER AND  
SPOUT, BLACK CLINICAL LEVER



Foro fissaggio / Fixing hole  $\varnothing$  30,5 mm  
Peso / Weight 5,5 kg  
Portata max / Max flow rate 22 l/min a 4 bar

Cod. P0101020111

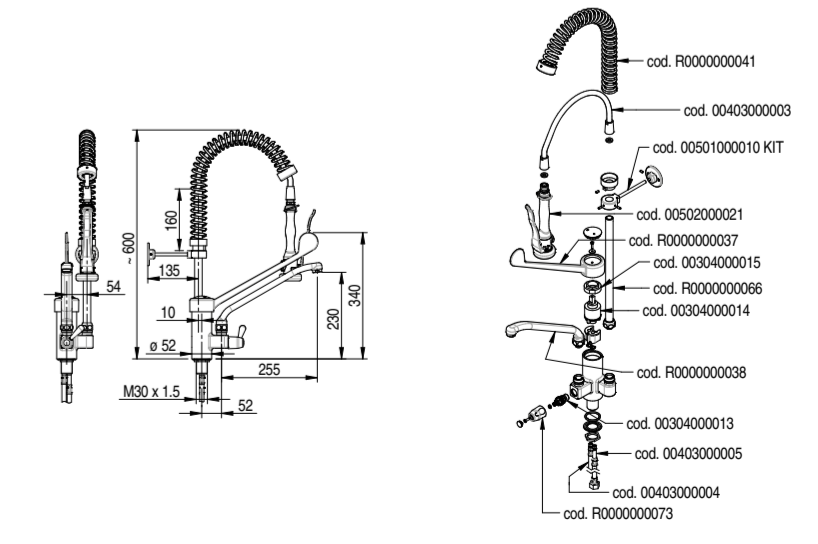
MONOFORO A LAVELLO CANNA "S"  
A METÀ ASTA, KIT DOCCIA  
ONE HOLE SINK TAP WITH  
KIT SHOWER AND "S" PIPE IN THE  
MIDDLE OF METAL TUBE



Foro fissaggio / Fixing hole  $\varnothing$  27 mm  
Peso / Weight 4,9 kg  
Portata max / Max flow rate 17 l/min a 4 bar

Cod. P0201020235

MONOFORO MISCELATORE  
A LAVELLO, KIT DOCCIA MINI  
E CANNA, COMANDO  
A LEVA CLINICA NERA  
ONE HOLE SINK MIXER TAP,  
KIT SHOWER SMALL MODEL  
AND SPOUT, BLACK  
CLINICAL LEVER



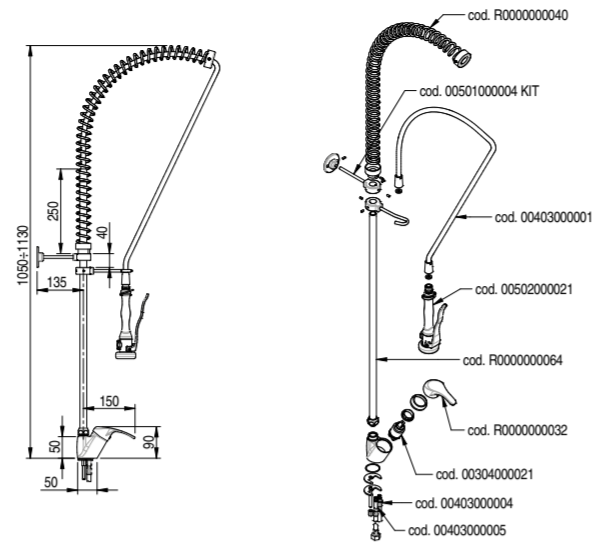
Foro fissaggio / Fixing hole  $\varnothing$  30,5 mm  
Peso / Weight 4,7 kg  
Portata max / Max flow rate 22 l/min a 4 bar

Cod. **P020102020**

**MONOFORO A LAVELLO MISCELATORE, KIT DOCCIA**  
ONE HOLE SINK MIXER TAP WITH KIT SHOWER



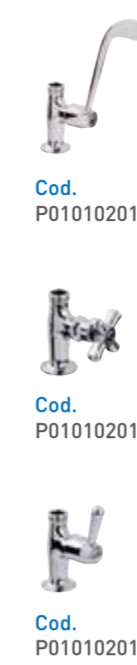
Cod. P0201020205



**Foro fissaggio / Fixing hole** ø 35 mm  
**Peso / Weight** 4,1 kg  
**Portata max / Max flow rate** 17 l/min a 4 bar

Cod. **P0101020117**

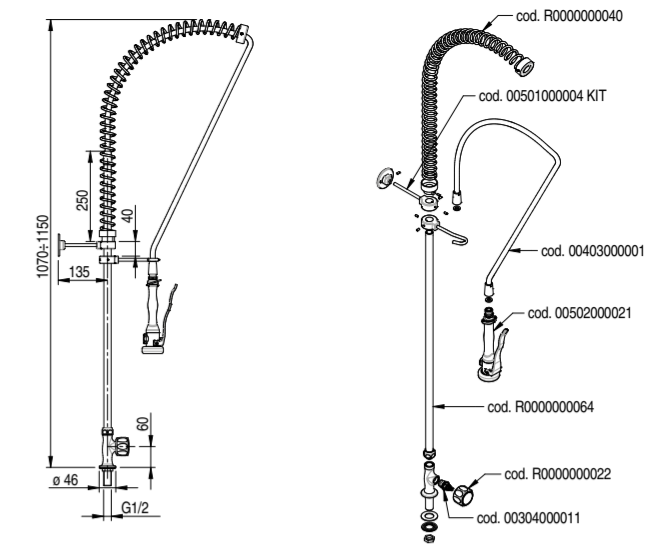
**MONOFORO A LAVELLO SOLO ACQUA FREDDA, KIT DOCCIA**  
ONE HOLE SINK TAP ONLY COLD WATER WITH KIT SHOWER



Cod. P0101020130

Cod. P0101020129

Cod. P0101020131



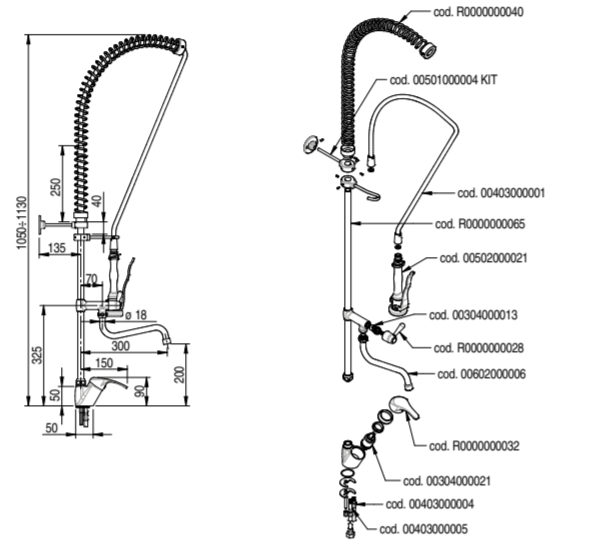
**Foro fissaggio / Fixing hole** ø 21,5 mm  
**Peso / Weight** 3,5 kg  
**Portata max / Max flow rate** 17 l/min a 4 bar

Cod. **P0201020220**

**MONOFORO A LAVELLO MISCELATORE, CANNA "S" A METÀ ASTA, KIT DOCCIA**  
ONE HOLE SINK MIXER TAP WITH KIT SHOWER AND "S" PIPE IN THE MIDDLE OF METAL TUBE



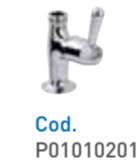
Cod. P0201020213



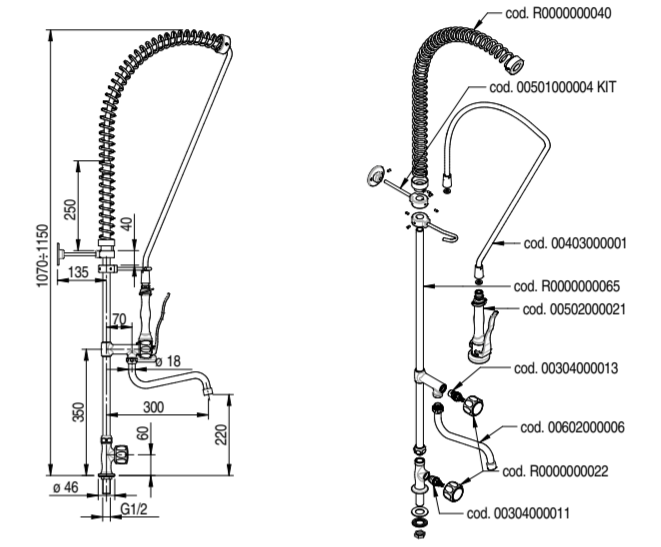
**Foro fissaggio / Fixing hole** ø 35 mm  
**Peso / Weight** 4,7 kg  
**Portata max / Max flow rate** 17 l/min a 4 bar

Cod. **P0101020161**

**MONOFORO A LAVELLO SOLO ACQUA FREDDA, CANNA "S" A METÀ ASTA**  
ONE HOLE SINK TAP ONLY COLD WATER, KIT SHOWER AND "S" PIPE IN THE MIDDLE OF METAL TUBE



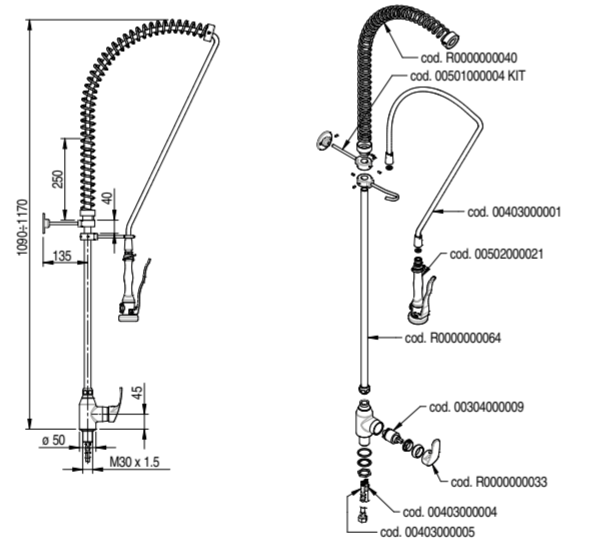
Cod. P0101020160



**Foro fissaggio / Fixing hole** ø 21,5 mm  
**Peso / Weight** 4,2 kg  
**Portata max / Max flow rate** 17 l/min a 4 bar

Cod. **P0101020144**

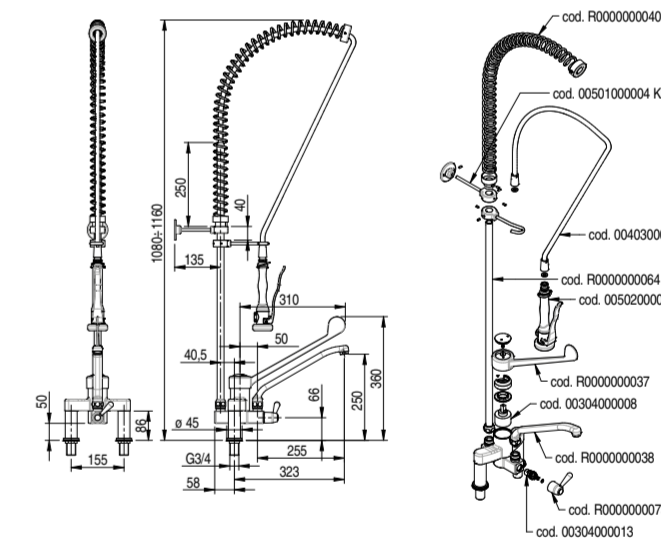
**MONOFORO A LAVELLO MISCELATORE, KIT DOCCIA**  
ONE HOLE SINK MIXER TAP WITH KIT SHOWER



**Foro fissaggio / Fixing hole** ø 30,5 mm  
**Peso / Weight** 5 kg  
**Portata max / Max flow rate** 18 l/min a 4 bar

Cod. **P0102020207**

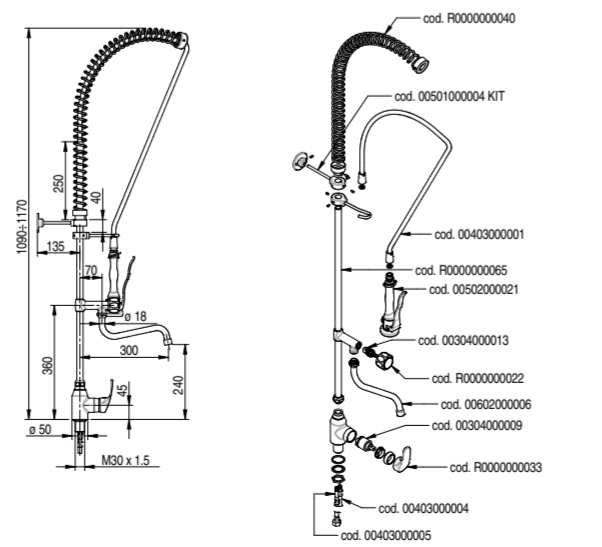
**BIFORO A LAVELLO MISCELATORE, COMANDO A LEVA CLINICA NERA, KIT DOCCIA E CANNA**  
TWO HOLES SINK MIXER TAP WITH BLACK CLINICAL LEVER, KIT SHOWER AND SPOUT



**Foro fissaggio / Fixing hole** ø 27 mm  
**Peso / Weight** 7,7 kg  
**Portata max / Max flow rate** 22 l/min a 4 bar

Cod. **P0101020114**

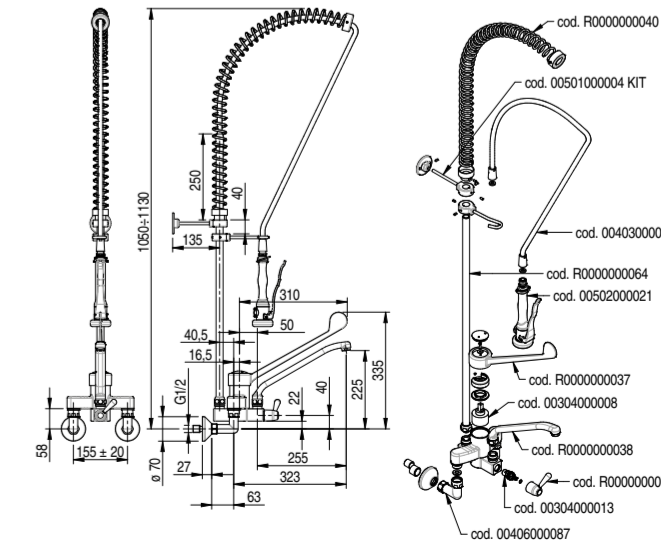
**MONOFORO A LAVELLO MISCELATORE, CANNA "S" A METÀ ASTA, KIT DOCCIA**  
ONE HOLE SINK MIXER TAP WITH KIT SHOWER AND "S" PIPE IN THE MIDDLE OF METAL TUBE



**Foro fissaggio / Fixing hole** ø 30,5 mm  
**Peso / Weight** 5,6 kg  
**Portata max / Max flow rate** 18 l/min a 4 bar

Cod. **P0102020210**

**BIFORO MISCELATORE A MURO, COMANDO A LEVA CLINICA NERA, KIT DOCCIA E CANNA**  
TWO HOLES MIXER TAP WALL MOUNTED WITH BLACK CLINICAL LEVER, KIT SHOWER AND SPOUT

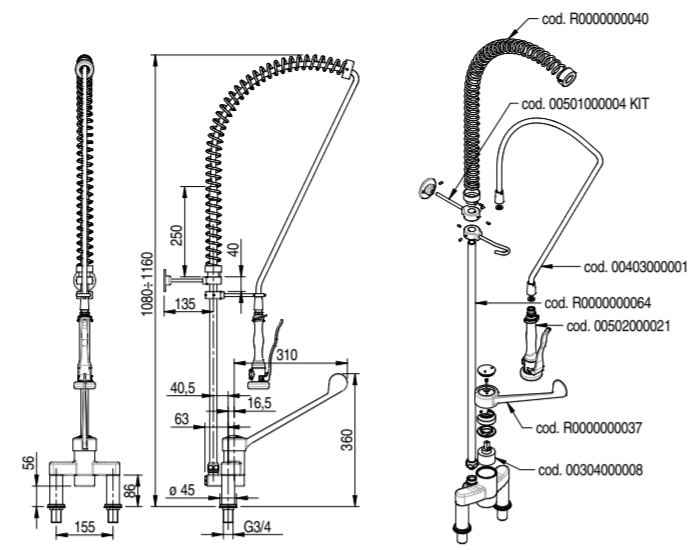


**Peso / Weight** 7,3 kg  
**Portata max / Max flow rate** 22 l/min a 4 bar



Cod. **P010202008**

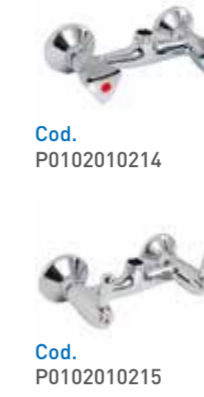
**BIFORO A LAVELLO MISCELATORE, COMANDO A LEVA CLINICA NERA, KIT DOCCIA**  
TWO HOLES SINK MIXER TAP WITH BLACK CLINICAL LEVER, KIT SHOWER



**Foro fissaggio / Fixing hole** ø 27 mm  
**Peso / Weight** 6,6 kg  
**Portata max / Max flow rate** 22 l/min a 4 bar

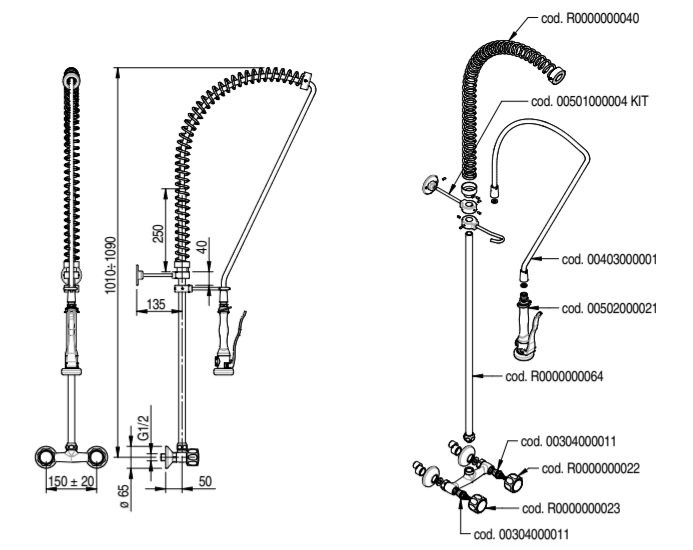
Cod. **P0102010207**

**BIFORO A MURO CON MANIGLIE, KIT DOCCIA**  
TWO HOLES WALL TAP WITH HANDLES, KIT SHOWER



Cod. P0102010214

Cod. P0102010215



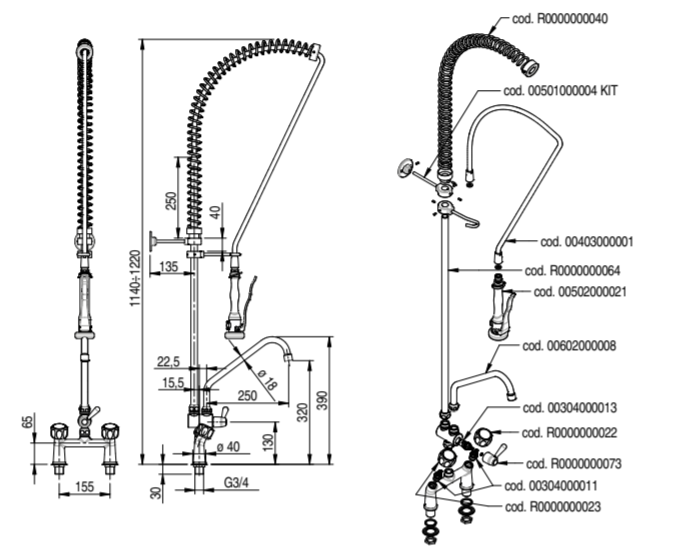
**Peso / Weight** 4 kg  
**Portata max / Max flow rate** 22 l/min a 4 bar

Cod. **P0102020132**

**BIFORO A LAVELLO CON MANIGLIE, KIT DOCCIA E CANNA "C"**  
TWO HOLES SINK TAP WITH HANDLES, "C" PIPE WITH KIT SHOWER



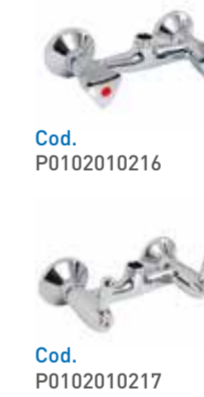
Cod. P0102020131



**Foro fissaggio / Fixing hole** ø 27 mm  
**Peso / Weight** 5,3 kg  
**Portata max / Max flow rate** 22 l/min a 4 bar

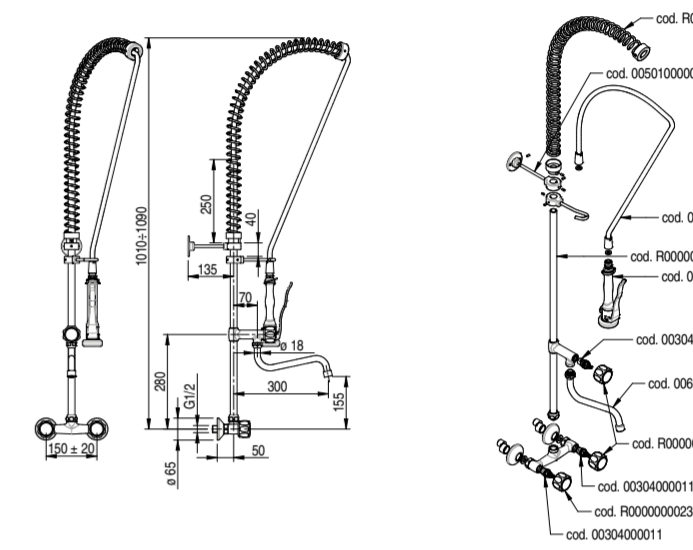
Cod. **P0102010206**

**BIFORO A MURO CON MANIGLIE, CANNA "S" A METÀ ASTA, KIT DOCCIA**  
TWO HOLES WALL TAP WITH HANDLES, KIT SHOWER AND "S" PIPE IN THE MIDDLE OF METAL TUBE



Cod. P0102010216

Cod. P0102010217



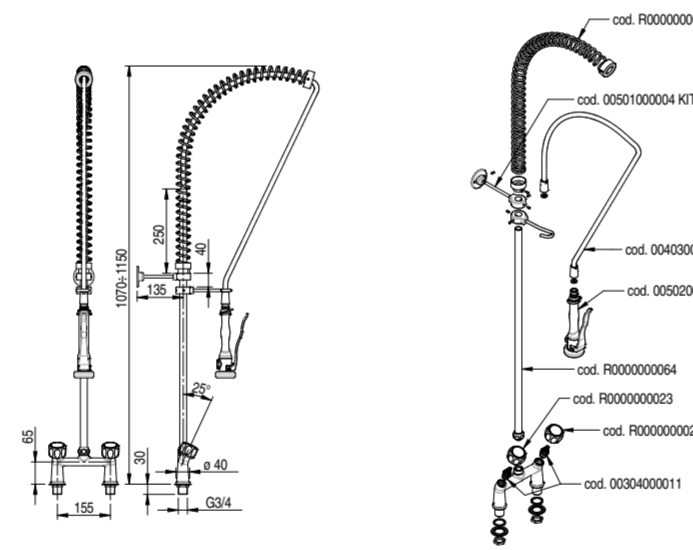
**Peso / Weight** 4,6 kg  
**Portata max / Max flow rate** 22 l/min a 4 bar

Cod. **P0102020127**

**BIFORO A LAVELLO CON MANIGLIE, KIT DOCCIA**  
TWO HOLES SINK TAP WITH HANDLES, KIT SHOWER



Cod. P0102020128



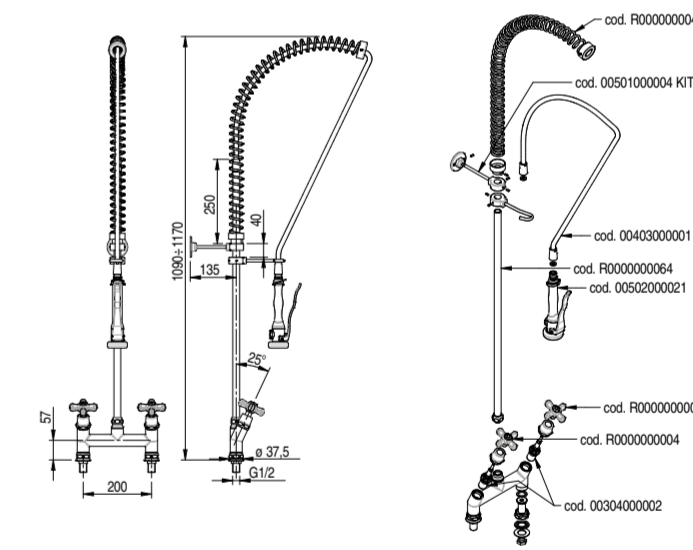
**Foro fissaggio / Fixing hole** ø 27 mm  
**Peso / Weight** 4,2 kg  
**Portata max / Max flow rate** 22 l/min a 4 bar

Cod. **P0102020105**

**BIFORO A LAVELLO CON MANIGLIE, KIT DOCCIA**  
TWO HOLES SINK TAP WITH HANDLES, KIT SHOWER



Cod. P0102020205



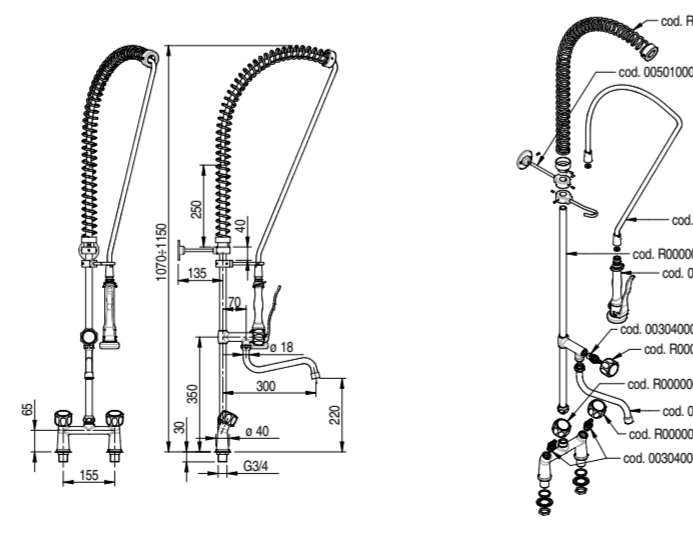
**Foro fissaggio / Fixing hole** ø 21,5 mm  
**Peso / Weight** 5,9 kg  
**Portata max / Max flow rate** 24 l/min a 4 bar

Cod. **P0102020129**

**BIFORO A LAVELLO CON MANIGLIE, CANNA "S" A METÀ ASTA, KIT DOCCIA**  
TWO HOLES SINK TAP WITH HANDLES, KIT SHOWER AND "S" PIPE IN THE MIDDLE OF METAL TUBE



Cod. P0102020130



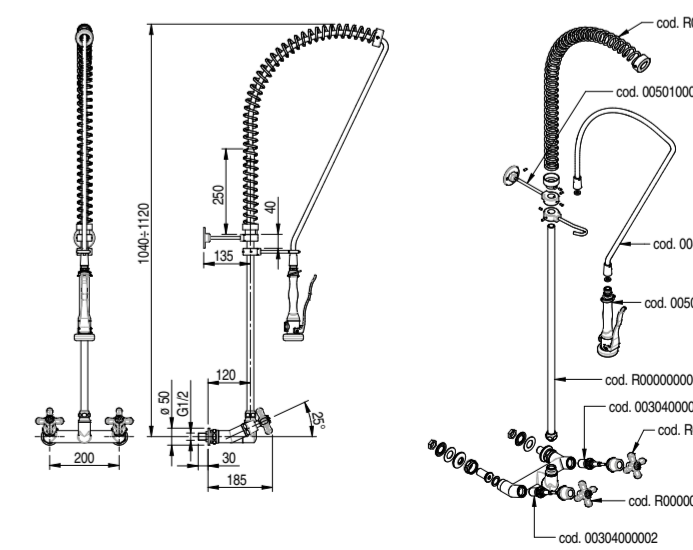
**Foro fissaggio / Fixing hole** ø 27 mm  
**Peso / Weight** 4,8 kg  
**Portata max / Max flow rate** 22 l/min a 4 bar

Cod. **P0102010103**

**BIFORO A MURO CON MANIGLIE, KIT DOCCIA**  
TWO HOLES WALL TAP WITH HANDLES, KIT SHOWER



Cod. P0102010203



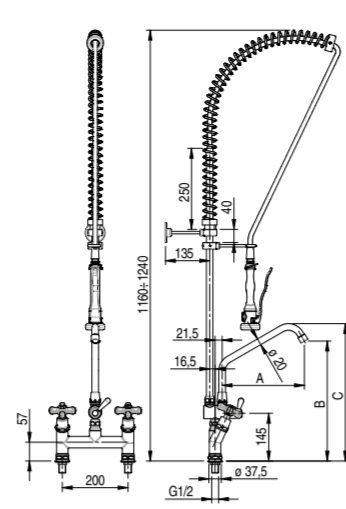
**Peso / Weight** 6,3 kg  
**Portata max / Max flow rate** 24 l/min a 4 bar

Cod.  
**P0102020103** ("C" 250)  
**P0102020104** ("C" 300)

**BIFORO A LAVELLO CON  
 MANIGLIE, KIT DOCCIA,  
 CANNA "C"**  
 TWO HOLES SINK TAP WITH  
 HANDLES, "C" PIPE WITH KIT  
 SHOWER

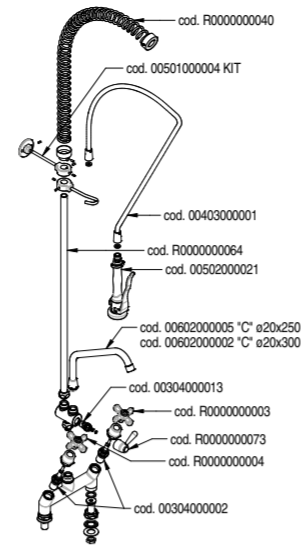


Cod. P0102020203 ("C" 250)  
 P0102020204 ("C" 300)



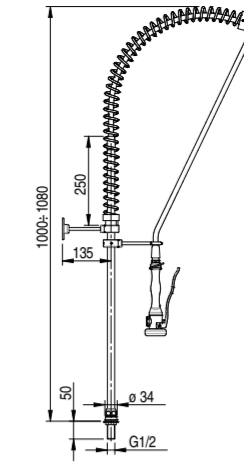
**Foro fissaggio / Fixing hole** ø 21,5 mm  
**Peso / Weight** 7,1 kg  
**Portata max / Max flow rate** 24 l/min a 4 bar

A (mm)	B (mm)	C (mm)
250	365	420
300	400	450

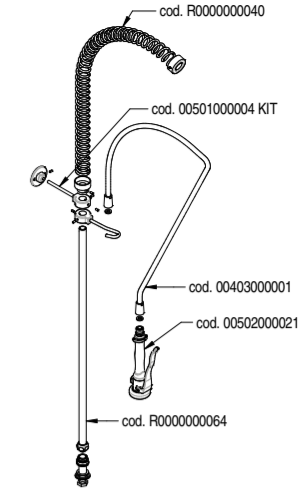


Cod. **P000000010**

**KIT DOCCIA COMPLETO DI  
 BASETTA**  
 KIT SHOWER WITH SPRING,  
 FLEXIBLE HOSE,  
 BODY SINK TAP



**Foro fissaggio / Fixing hole** ø 21,5 mm  
**Peso / Weight** 3,2 kg  
**Portata max / Max flow rate** 17 l/min a 4 bar

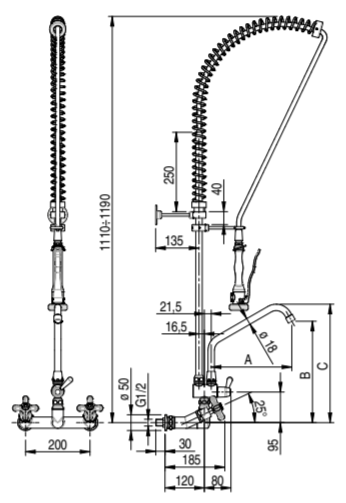


Cod.  
**P0102010104** ("C" 250)  
**P0102010105** ("C" 300)

**BIFORO A MURO CON MANIGLIE,  
 KIT DOCCIA, CANNA "C"**  
 TWO HOLES WALL TAP WITH  
 HANDLES, "C" PIPE WITH  
 KIT SHOWER

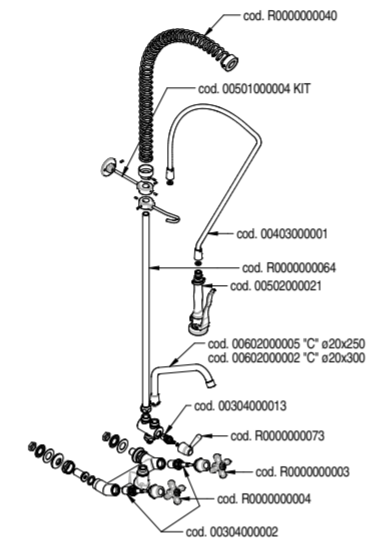


Cod. P0102010204 ("C" 250)  
 P0102010205 ("C" 300)



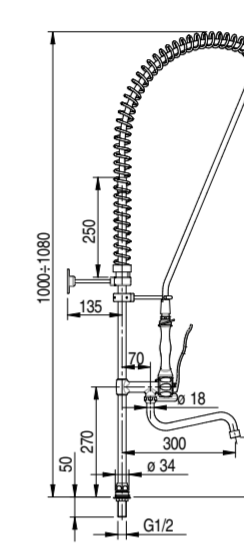
**Peso / Weight** 7,5 kg  
**Portata max / Max flow rate** 24 l/min a 4 bar

A (mm)	B (mm)	C (mm)
250	315	370
300	350	400

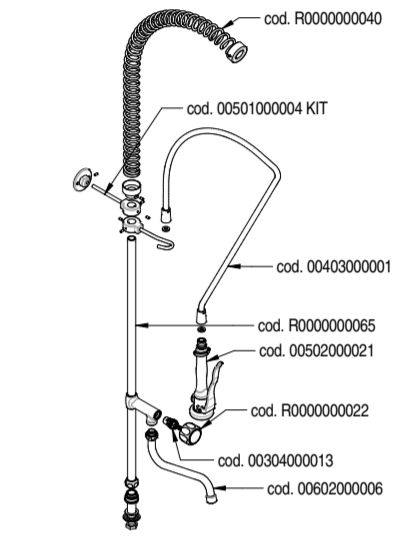


Cod. **P000000011**

**KIT DOCCIA, CANNA "S" A  
 METÀ ASTA,  
 COMPLETO DI BASETTA**  
 KIT SHOWER WITH "S" PIPE IN  
 THE MIDDLE OF METAL TUBE,  
 BODY SINK TAP

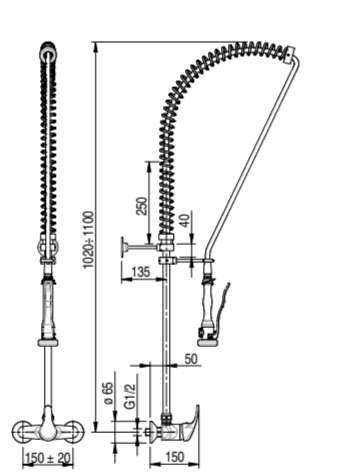


**Foro fissaggio / Fixing hole** ø 21,5 mm  
**Peso / Weight** 3,8 kg  
**Portata max / Max flow rate** 17 l/min a 4 bar

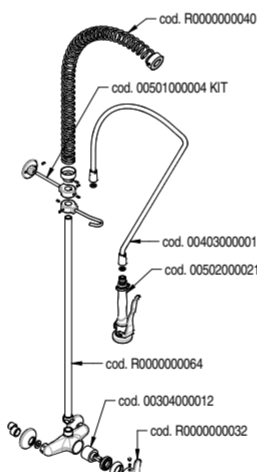


Cod. **P0102010301**

**BIFORO MISCELATORE A MURO,  
 KIT DOCCIA**  
 TWO HOLES MIXER TAP WALL  
 MOUNTED, KIT SHOWER

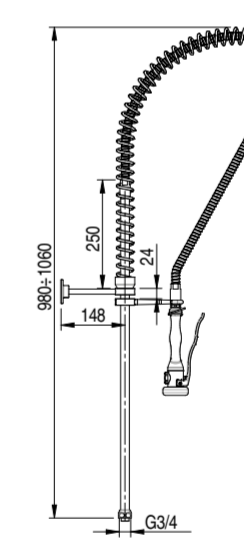


**Peso / Weight** 4 kg  
**Portata max / Max flow rate** 22 l/min a 4 bar

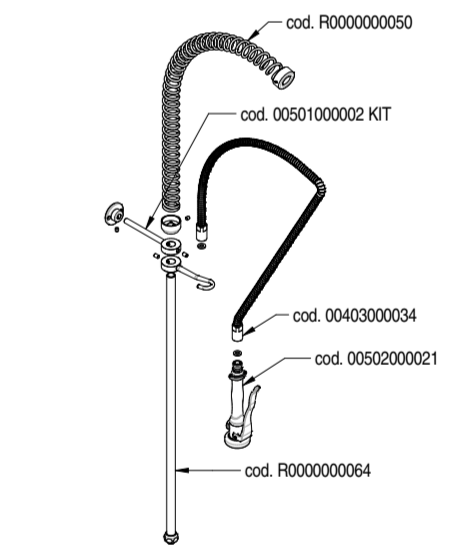


Cod. **P000000048**

**KIT DOCCIA LINEA PLUS**  
 KIT SHOWER PLUS LINE

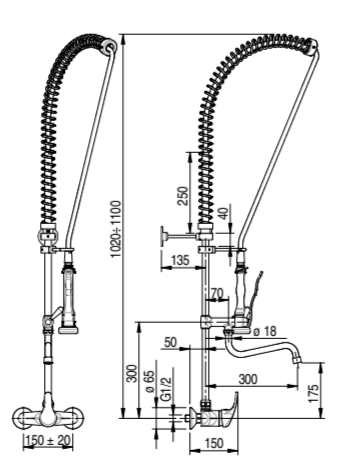


**Peso / Weight** 3,8 kg  
**Portata max / Max flow rate** 17 l/min a 4 bar

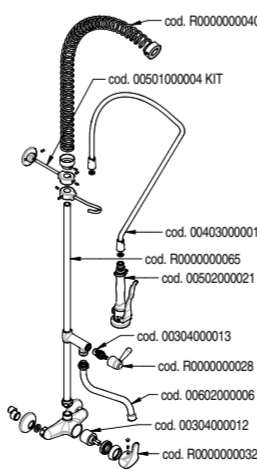


Cod. **P0102010302**

**BIFORO MISCELATORE A MURO,  
 CANNA "S" A METÀ ASTA,  
 KIT DOCCIA**  
 TWO HOLES MIXER TAP WALL  
 MOUNTED WITH "S" PIPE  
 IN THE MIDDLE OF METAL TUBE,  
 KIT SHOWER

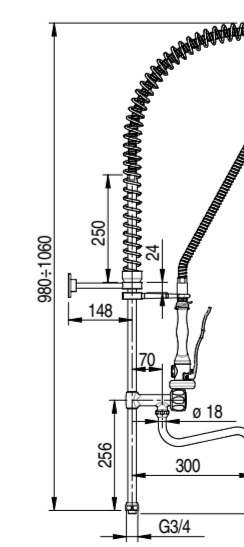


**Peso / Weight** 4,6 kg  
**Portata max / Max flow rate** 22 l/min a 4 bar



Cod. **P000000049**

**KIT DOCCIA, CANNA "S" A METÀ  
 ASTA LINEA PLUS**  
 KIT SHOWER WITH "S" PIPE IN  
 THE MIDDLE OF METAL TUBE,  
 PLUS LINE



**Peso / Weight** 4,4 kg  
**Portata max / Max flow rate** 17 l/min a 4 bar

